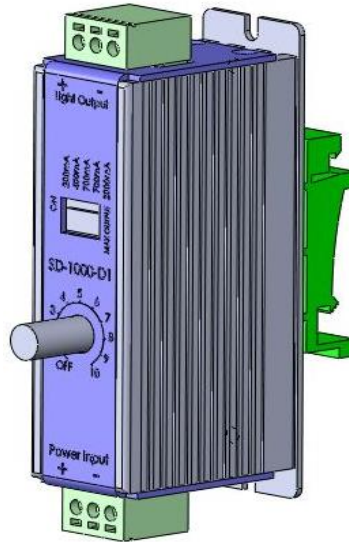




TMS LITE SDN. BHD. (Co. No. 671971V)
LED ILLUMINATION SOLUTION PARTNER



1 Channel Analog Lighting Control Card:

SD-1000-D1

USER MANUAL

Rev 1.1 29 Feb 2016

Contents

Introduction	1
Features List	1
Applications.....	1
Hardware	2
Packing List	2
Front Panel	2
Power ON	3
Constant.....	3
Current DIP Switch Settings.....	4
<i>Configuration</i>	5
Connection View:.....	5
SD-1000-D1 Specification	6
Dimension Layout	7
Simple Connection SD-1000-D1	8
Controller Package	9
Cable Information.....	10
Power Cord Information.....	11
Lighting Connector of SM.....	12

Revision Notes

Rev	Date/Author	Comment
1.0	YVONNE	First Editor
1.1	YVONNE	Update Controller package & Extension Cable information

Introduction

Features List

- Simple single channel LED light source for analog control.
- VR Intensity control
- Power Input is 24V DC
- Lighting Output Voltage 24V DC
- Current Selection 200mA, 400mA, 700mA, 700mA and up to 2A
- Default current output is 200mA (Maximum Output Current 2A)
- Din Rail/ Panel Mount

Applications

- Simple Manually Light Control (VR Adjustable)
- General purpose light intensity control

Hardware

Packing List

Please make sure that the following parts are in the 3 packing list:

1. **SD-1000-D1 lighting controller unit**
 - Adaptor +24V with Power Cord 110 - 240 (Optional)
 - LED Lightings (Optional)
 - Ext. Lighting Cable (Optional)
 - Rear Plate with Din Rail Clip

Front Panel



The front panel consists of VR KNOB (Control LED Intensity range from 0~10) and Dip Switch 4 Way (Current Selector)

Power ON

The default current setting for the controller is 200mA. If other current settings are desired, please make sure LED Lighting Current can support before power on the unit.

Connect the lighting connectors to the lighting connection terminals.

Connect a power +24 VDC to Label **POWER INPUT (+)** and **(-)** at Phoenix Contact Casing for supply a voltage to controller. The POWER LED at Board will be ON when user have switch "ON" the VR by turning.

Operating Modes

- Constant (Analog VR intensity control)

Constant

The unit has constant mode intensity from 0 to 10 (Analog).

Independent VR controls the lightings intensity of each channel.

The Lightings intensity is set by manually adjust the position of VR Knob (label 0-10) on the casing.

When VR Knob position at '0', it sets the lightings intensity at minimum.
When VR Knob position at '10', it sets the lightings intensity at maximum.

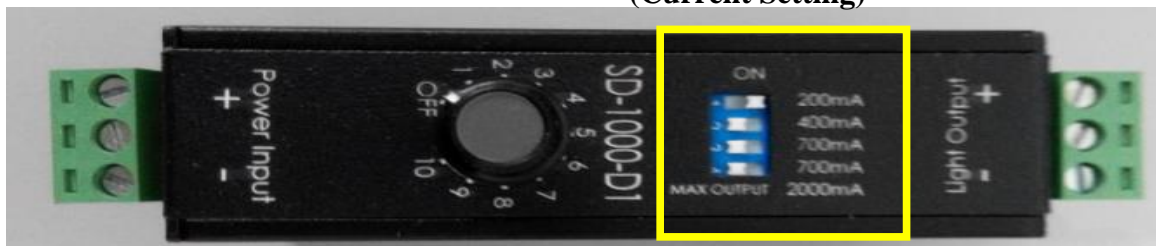
Current DIP Switch Settings

The DIP Switches sets the maximum output current to the Lighting Output for over current protection for each respective channel.

Factory default for each channel is 200mA.

Caution: Make sure the selected maximum current output is suitable for lighting to prevent damage to both the lightings & Controller

DIP SWITCH (Current Setting)



Switch				Output Current (mA)
1 (200mA)	2 (400mA)	3 (700mA)	4 (700mA)	
OFF	OFF	OFF	OFF	INVALID
ON	OFF	OFF	OFF	200
OFF	ON	OFF	OFF	400
ON	ON	OFF	OFF	600
OFF	OFF	ON	OFF	700
OFF	ON	ON	OFF	1100
ON	ON	ON	OFF	1300
OFF	OFF	ON	ON	1400
ON	OFF	ON	ON	1600
OFF	ON	ON	ON	1800
ON	ON	ON	ON	2000

Table 1: DIP Switch Settings for Maximum Lighting Output Current

Configuration

Connections:

For SD-1000-D1 to operate properly, the unit terminals must be connected correctly. The terminals voltage polarity must be followed accordingly to prevent damage to the unit.

- **Power Input Terminals**
Connect the Power 24V DC to controller.
- **Lightings Output Terminals**
These lighting connector are to be connected to 24V-Lightings for a 24V DC power supply Analog Controller.

Connection View:



Figure 1 (Front View)

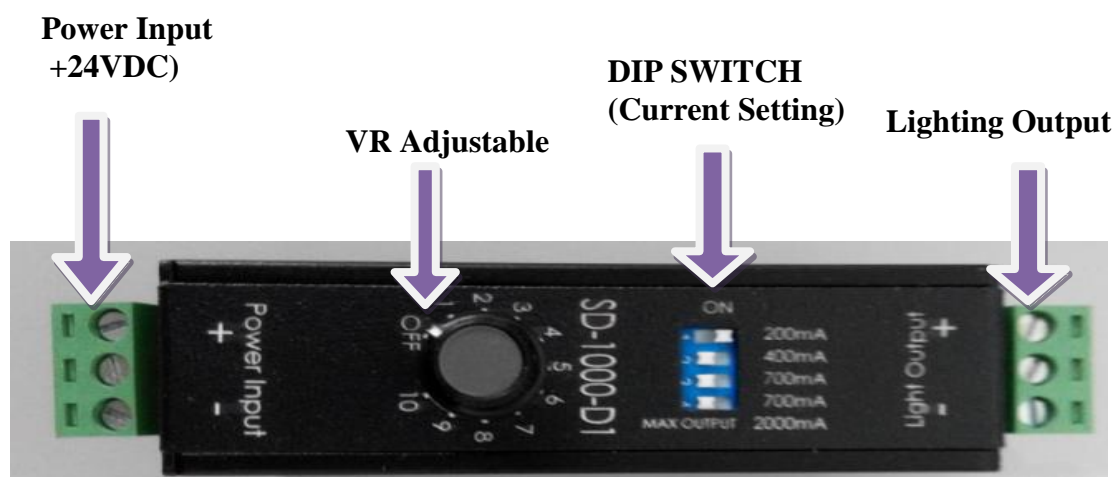


Figure 2 (TOP View)

SD-1000-D1 Specification

CONTROL:

VR	Manual Control (Adjustable)
----	-----------------------------

General:

Dimension	80 mm x 24 mm
Power Input	+24 VDC
Board Max Power Consumption	2A @ 24V
Board Voltage	24 VDC

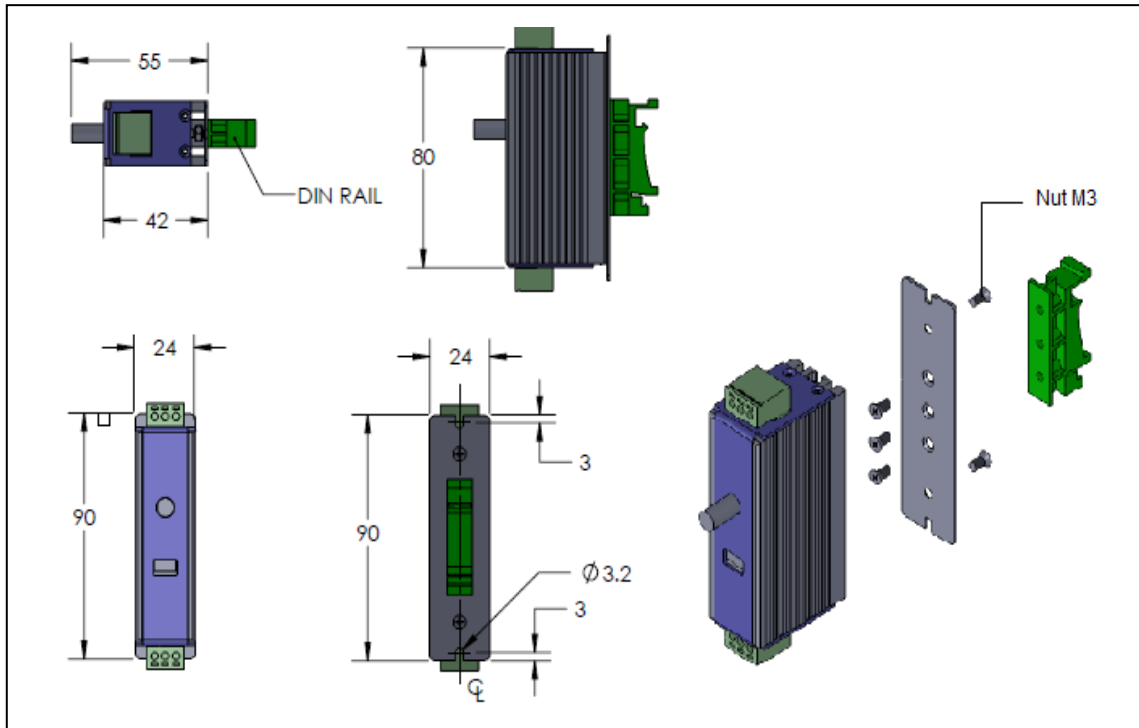
Channels:

1 Channels	Channel Control	Independent
	Output Mode	Constant
	Output Current	200mA (Default), 200mA, 400mA, 700mA, 700mA & up to 2000mA
	Lighting Output Voltage	24V

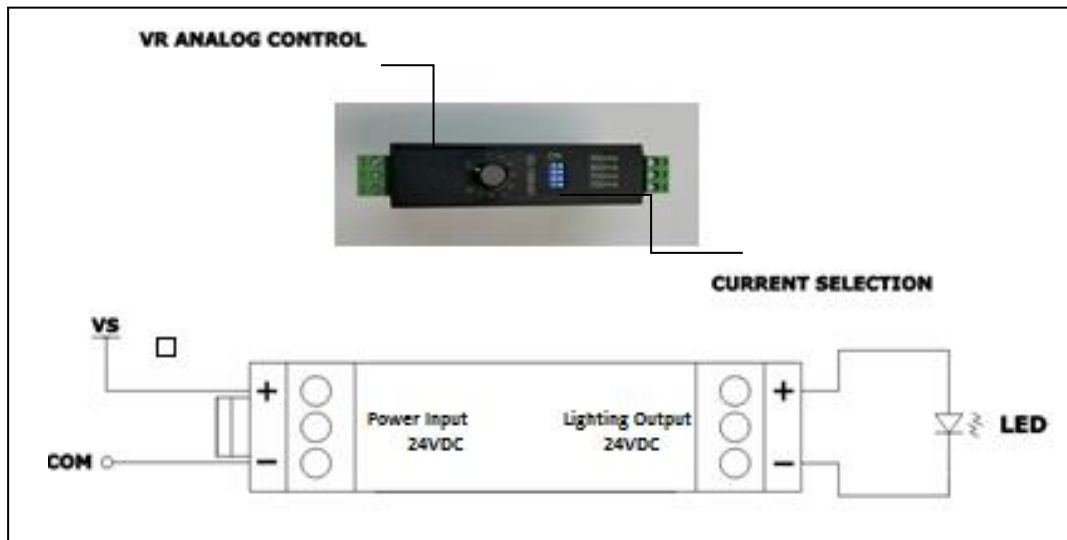
Functions:

Constant	Lighting Intensity	VR Adjustable
	Intensity Range	0 ~ 10 steps

Dimension Layout














Simple Connection SD-1000-D1



Controller Package

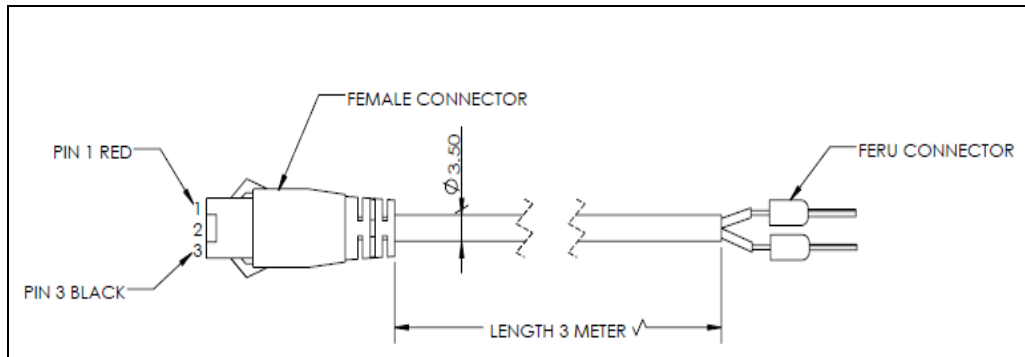
There are controller package attached with order part number:-

Part number	TMS part number & Controller package		Controller Spec	Cable & Accessories Spec.
<p>SD-1000-D1-PS-UK-SM SD-1000-D1-PS-US-SM SD-1000-D1-PS-EU-SM</p>	<p>SD-1000-D1-PS-YY-SM</p> <div style="display: flex; justify-content: space-around; align-items: center;"> <div style="text-align: center;">  SD-1000-D1 </div> <div style="text-align: center;">  EXT-24V-F-3M </div> </div>		<p>POWER ADAPTOR</p>  24V PLUG +  <p>Power Cord (Cable length= 1.8 Meter)</p> <p>YY</p> <p>240 VAC</p>  UK <p>110 VAC</p>  US <p>220 VAC</p>  EU	 SD-1000-D1 <ul style="list-style-type: none"> Function mode: Constant Intensity control: VR Power Input =24VDC Lighting Output = 24VDC/Max 2A Current selectable switch:200mA,400mA, 700mA, 700mA  EXT-24V-F-3M <ul style="list-style-type: none"> Cable Length:3 Meter Input connector: flying lead Output connector: 3-way JST SM female connector Max current support in 24V: 2A  AC-DC Power Adaptor <ul style="list-style-type: none"> Power input: 100 - 240VAC Power Output: 24V/2.5A Cable length: 1.2 Meter  24V Plug <ul style="list-style-type: none"> Cable length: 0.25Meter Max current support in 24V: 2A

Cable Information

i) EXT-24V-F-3M

Extension Cable of 3 Meter with SM connector



Power Cord Information

The cable length is 1.8 Meter length of power cord.

240VAC Power Cord (UK)



220VAC Power Cord (EU)

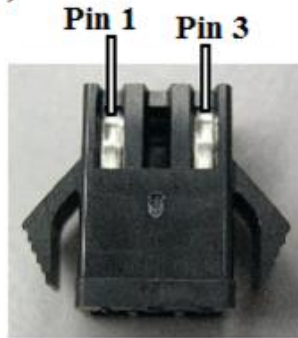


110VAC Power Cord (US)



Lighting Connector of SM

+ve (red wire) -ve (white wire)



24V Connector
Pin 1 -- +ve (red wire)
Pin 3 -- -ve (white wire)

Pin 1 -- Red wire (+ve)

Pin 3 -- White wire (-ve)



VISION CONSULTANCY
MAKING THE UNSEEN VISIBLE

Thank you for downloading this document from
www.machine-vision-shop.com

If you have any questions, you need help composing the right package for your application or do you want to order?

Feel free to contact us via e-mail at sales@vision-consultancy.nl or visit our webshop.

Our vision experts are happy to help you.



Natascha Overhof



Christian Cromptvoets



VISION CONSULTANCY

Robert Schumandomein 2
6229 ES Maastricht
The Netherlands

+31 (0) 438 522 651

sales@vision-consultancy.nl
www.machine-vision-shop.com

Scan me to visit
[machine-vision-shop](http://machine-vision-shop.com)

